

Standard Preparation 1400 mm Sink with 1 Bowl & Right Drain

ITEM # _____

MODEL # _____

NAME # _____

SIS # _____

AIA # _____


132806 (LG1416DXPN)

 Sink Unit with 1 bowl
 600x500mm and right hand
 drainer, 1400mm

Short Form Specification

Item No. _____

Made from 304 AISI stainless steel. The 50mm high worktop in 304 AISI stainless steel, 1mm in thickness, is sound-deadened and has an overflow rim and welded corners. Integral rear upstand, h=100mm, with 8mm radius. All-round apron. Square section legs 40x40mm on 1" height-adjustable feet (+/-20mm)

Bowl mm600x500x300h with overflow pipe and 2" drain hole; right hand drainer.

Construction

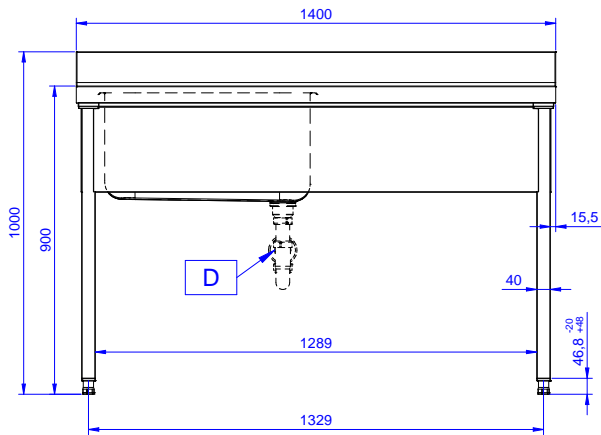
- 50 mm worktop in 304 AISI stainless steel, 10/10 in thickness with overflow rim along the top.
- Square section legs and 40 mm height-adjustable feet in 304 AISI stainless steel.
- Sink tops easily slotted onto the legs and taps are easily installed from the rear.
- Delivered in knock-down package.
- Wide range of taps are available to suit every need.
- Drainage area suitable for drying operations
- 100 mm upstand with 10 mm radiused corner and 13 mm deep, designed to be used against a wall.

Optional Accessories

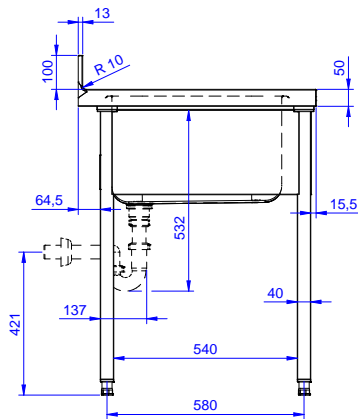
- Lower shelf for 1400mm tables and sinks PNC 855146
- Set of 4 wheels (2 with brake) d. 100mm for tables and sinks (total height on wheels= 993 mm) PNC 855150
- 3-sided underframe for 1400mm tables PNC 855153
- Mixer tap with swivel spout 3/4", single hole PNC 855319
- Elbow operated mixer tap with spout 3/4", single hole PNC 855322
- Elbow operated mixer tap with short spout 3/4", single hole PNC 855323
- Elbow operated tap with spray arm and spout, single hole PNC 855324
- HD mixer tap with spray arm 3/4", single hole PNC 855326
- Foot operated mixer tap (hot and cold) with spout 3/4" PNC 855328
- Single plastic drain syphon 2" for Sinks PNC 895313

APPROVAL: _____

Front

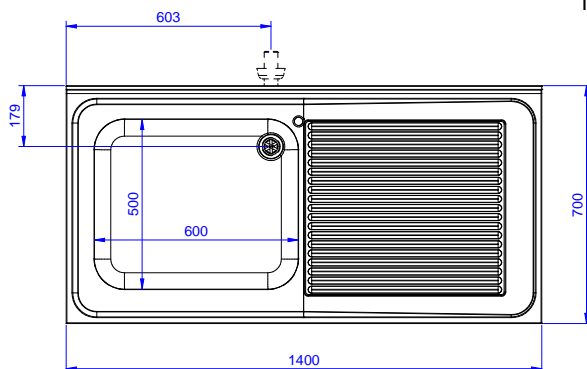


Side



D = Drain

Top



Key Information:

External dimensions, Width:	1400 mm
132806 (LG1416DXPN)	1400 mm
External dimensions, Depth:	700 mm
External dimensions, Height:	1000 mm
Upstand Dimensions, Height:	100 mm
Upstand Dimensions, Depth:	13 mm
Upstand Dimensions, Radius:	R=10
Bowls number	1
Bowl dimensions	600x500xH320
Worktop thickness:	50 mm
Net weight:	46 kg